

SP3T-6T Latching Type With Terminations

With Self cut-off Circuits

SMA DC-18GHZ

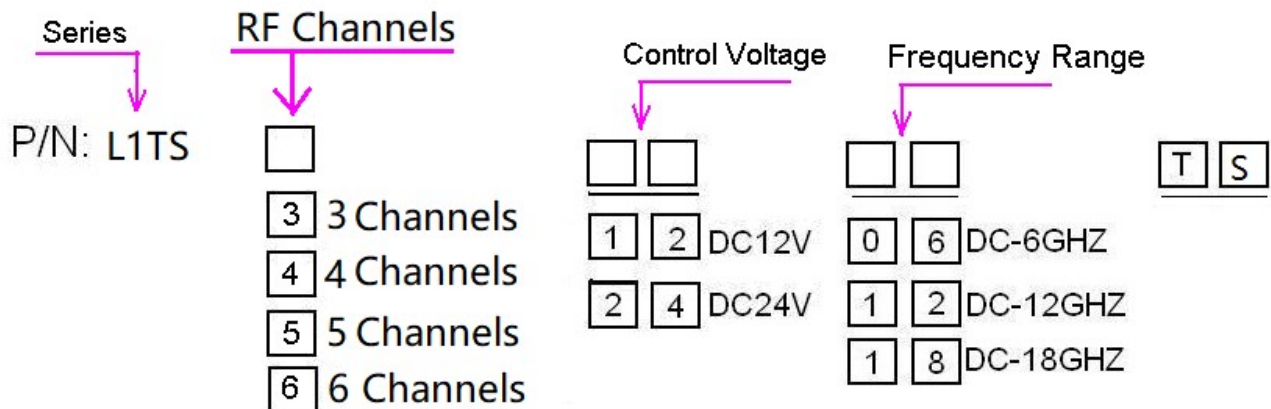


RF SPEC.

Frequency Range	DC-3GHZ	3-6GHZ	6-12.4GHZ	12.4-18GHZ
VSWR	<1.20	<1.30	<1.40	<1.50
Insertion Loss	<0.2dB	<0.3dB	<0.40dB	<0.50dB
Isolation	>80dB	>70dB	>65dB	>60dB
*Power Handling(CW)	85W	40W	20W	10W
Terminations Power Handling(CW)	1W			

- . RF Impedance: 50 ohm
- . Operating Voltage: DC12V Set current=240mA ; Reset current=240mA
Option DC24V Set current=120mA ,Reset current 120mA
- . Quiescent current (静态电流) 20mA
- . Switching Time: <60ms ; Reset Time<200ms
- . Life:>200 0000cycles
- . Switching Sequence:Break Before Make
- . Operating Temperature: -10 ~ +60°C (Option -30 ~ +65°C)
- . RF Interface: SMA female

产品编号(P/N SPEC.)

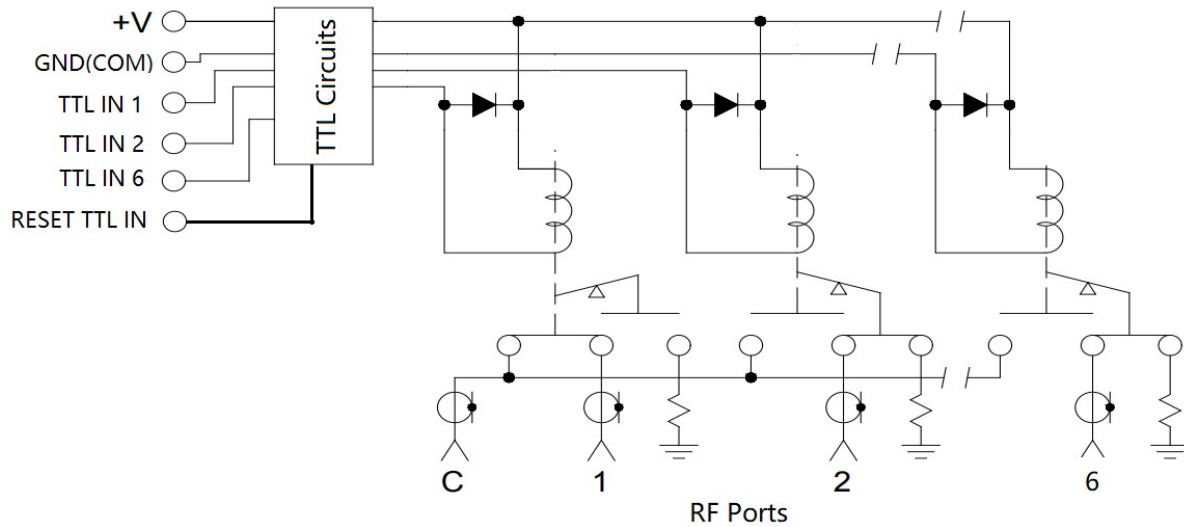


P/N Samples:

L1TS61218TS (SP6T/DC12V/DC-18GHZ/With self cut-off circuits)

L1TS41206TS (SP4T/DC12V/DC-6GHZ/With self cut-off circuits)

原理图



High TTL Logic Driver Truth Table (TTL 高电平驱动逻辑表)

DB9 Male									RF 导通通道
Pin1	Pin2	Pin3	Pin4	Pin5	Pin6	Pin7	Pin 8	Pin9	
(TTL IN1)	(TTL IN2)	(TTL IN3)	(TTL IN4)	(TTL IN5)	(TTL IN6)	(RESET TTL IN)			
0	0	0	0	0	0	1	+V	GND	与 C 断开, 全部接负载
1	0	0	0	0	0	0	+V	GND	C-1 导通, 其余接负载
0	1	0	0	0	0	0	+V	GND	C-2 导通, 其余接负载
0	0	1	0	0	0	0	+V	GND	C-3 导通, 其余接负载
0	0	0	1	0	0	0	+V	GND	C-4 导通, 其余接负载
0	0	0	0	1	0	0	+V	GND	C-5 导通, 其余接负载
0	0	0	0	0	1	0	+V	GND	C-6 导通, 其余接负载

说明:

- 1) Pin 1-7 脚为 TTL 控制输入脚, Pin9 为 DC 电源及 TTL 公用地
- 2) "0" 电平范围: 0-0.8V; "1" 电平范围: 2.5-5.0V
- 3) 开关控制插座为 DB9 male



Tel :0086-10-82087227

Fax:0086-10-82087380

E-mail: rfswith@126.com

Web site: www.rf-switch.com

DB9 Male Pins SPEC.

- Pin1:TTL IN 1
- Pin2:TTL IN 2
- Pin3:TTL IN 3
- Pin4:TTL IN 4
- Pin5:TTL IN 5
- Pin6:TTL IN 6
- Pin7:RESET TTL IN
- Pin8:V+ (IN)
- Pin9:GND(COM)

产品外型图 (mm)

