

SPDT Switch DC-3GHZ

Failsafe Type Pannel Mount

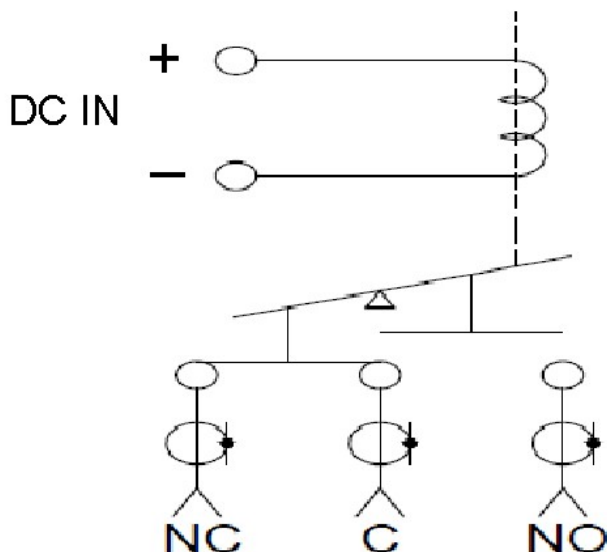


RF SPEC. :

Frequency Range	DC-1GHZ	1-2GHZ	2-3GHZ
VSWR	<1.20	<1.50	<1.70
Insertion Loss	<0.2dB	<0.5dB	<0.8dB
Isolation	>60dB	>40dB	>30dB
Power Handing(CW)	1W		

- . RF Impedance: 75 ohm
- . Operating Voltage: DC5V/50mA (Option:DC12V or DC24V)
- . Switching Time: <5ms
- . Life:>300000cycles
- . Switching Sequence:Break Before Make
- . Operating Temperature: -30 ~ +65°C
- . RF Interface: F female

DIG.:



P/N : **CUS130701-12** (控制电压: DC12V , RF 接口: F female)

CUS130701B-12 (控制电压: DC12V , RF 接口: BNC female)

Outline(mm)

