

SPDT Switch DC-3GHZ

75 ohm Failsafe Type

RF SPEC.:

Frequency Range	DC-1GHZ	1-2GHZ	2-3GHZ
VSWR	<1.40	<1.60	<1.70
Insertion Loss	<0.4dB	<0.5dB	<0.8dB
Isolation	>60dB	>45dB	>35dB
Power Handling(CW)	1W		



- . RF Impedance: 75 ohm
- . Operating Voltage: DC12V/50mA (Option: DC24V)
- . Switching Time: <5ms
- . Life:>1000000cycles
- . Switching Sequence:Break Before Make
- . Operating Temperature: -30 ~ +75°C
- . RF Interface: BNC female

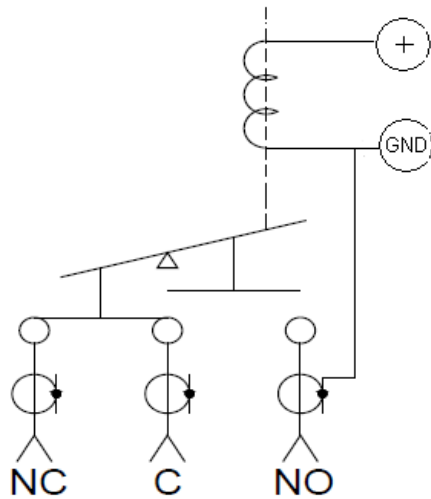
P/N SPEC.

P/N: CUS1102-
1 2 DC12V Negative connect GND
2 4 DC24V S Negative is isolated to GND

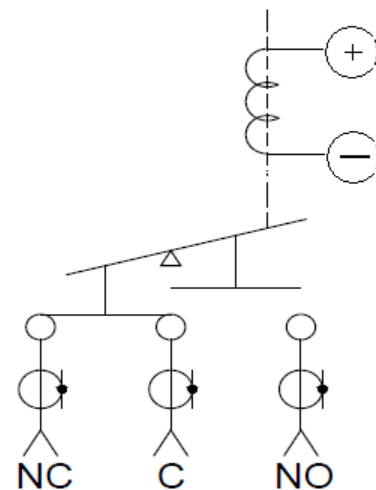
Samples:

- CUS1102-12 (SPDT Failsafe Type/DC12V Negative connect to GND)
- CUS1102-24S (SPDT Failsafe Type/DC12V Negative is isolated to GND)





Negative connect to GND



Negative is isolated to GND

Control Voltage DC=0V, RF C-NC ON, C-NO OFF
 DC=12V, RF C-NC OFF, C-NO ON



Wire Cable: Length=200mm
 RED (+), BLACK (-)

Outline(mm)

