

SPDT Switch DC-12.4GHZ Fail-safe Type N female

大功率型号 可供选择



RF SPEC.

Frequency Range		DC-500MHZ	0.5-1GHZ	1-2GHZ	2-3GHZ	3-6GHZ	6-12.4GHZ
VSWR		<1.05	<1.10	<1.15	<1.20	<1.35	<1.60
Insertion Loss		<0.08dB	<0.10dB	<0.15dB	<0.20dB	<0.40dB	<0.80dB
Isolation		>90dB	>85dB	>80dB	>80dB	>70dB	>60dB
Power Handing(CW)	Normal	400W	300W	240W	200W	150W	100W
	大功率**	1600W	1100W	750W	650W	450W	--

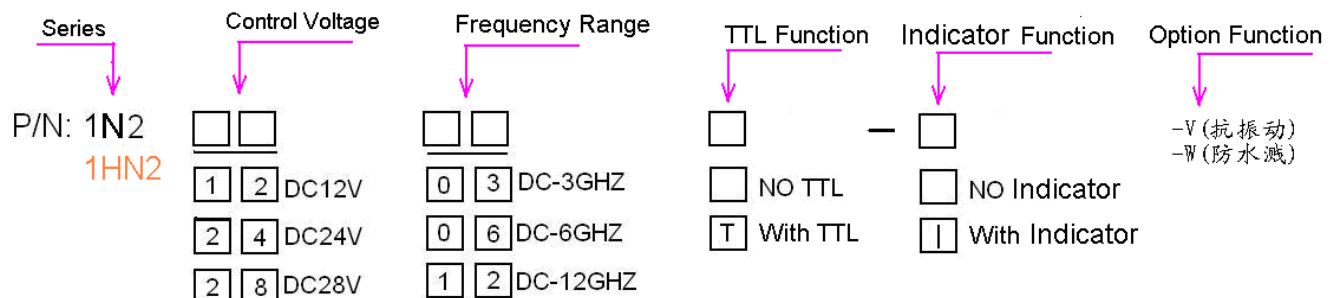
* Power handing: VSWR=1.1, @25°C, sea level, cold switch

其它频率承载功率 900W@32-100MHZ 3000W@32-100MHZ(大功率)

** 大功率型产品工作频率范围:DC-6GHZ (使用至 6GHZ 以上频率请与我们联系)

- . RF Impedance: 50 ohm
- . Operating Voltage: DC12V/300mA (DC24V/150mA) High Power:DC12V/480mA (DC24V/240mA)
- . Switching Time: <20ms
- . Life:>1000000cycles
- . Switching Sequence:Break Before Make
- . Operating Temperature: -40 ~ +85°C
- . RF Interface: N female

产品编号定义.



1HN2 是大功率型



产品编号示例

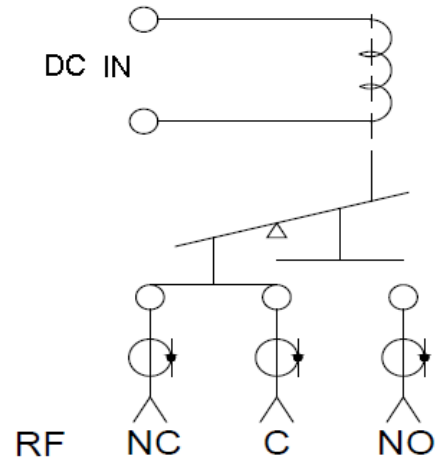
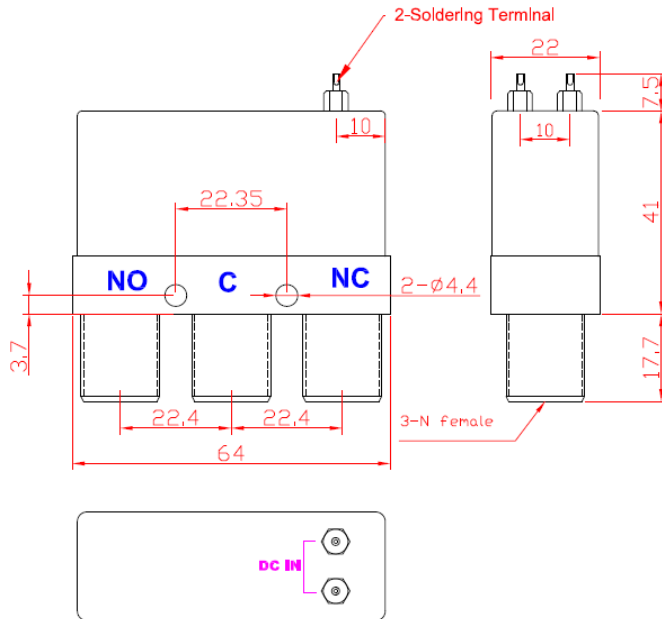
1N21203 (SPDT Failsafe Type/DC12V/DC-3GHZ/N female)

1N22406T-I (SPDT Failsafe Type/DC24V/DC-6GHZ/N female/带 TTL 控制/带指示功能)

1HN21206T-V (大功率 SPDT Failsafe Type/DC12V/DC-6GHZ/N female/带 TTL 控制/抗振动)

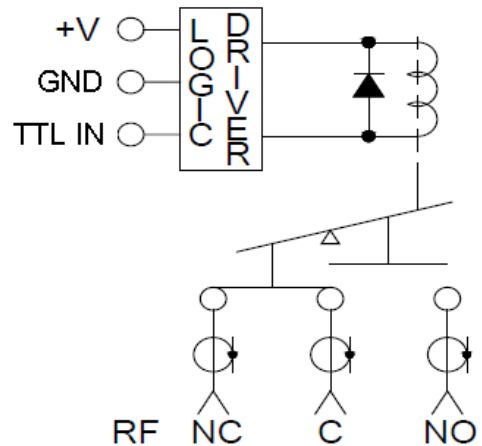
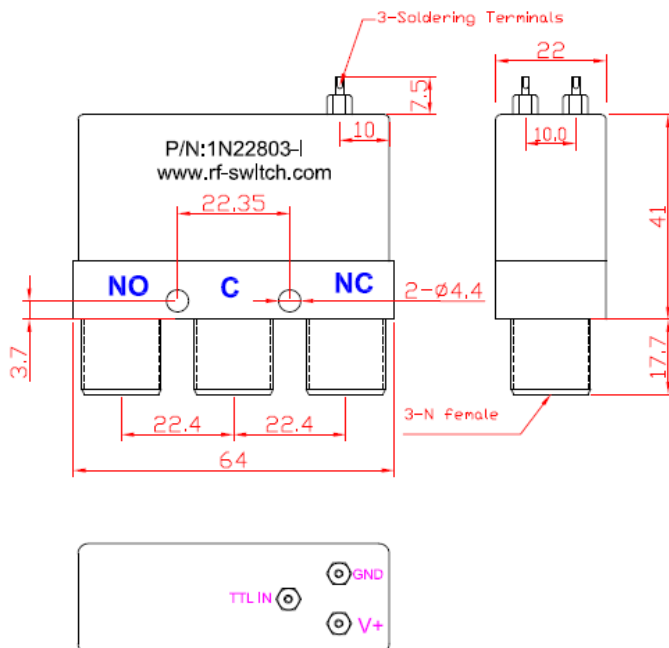
外型尺寸及原理图

电压控制型



DC IN	C-NC	C-NO
DC=12V (or others)	OFF	ON
DC=0V	ON	OFF

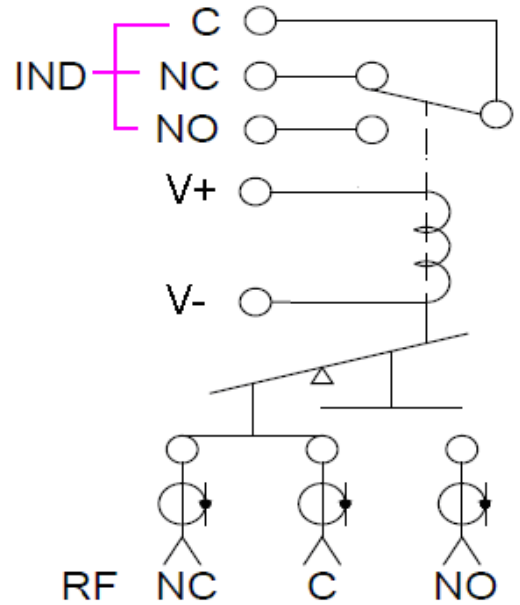
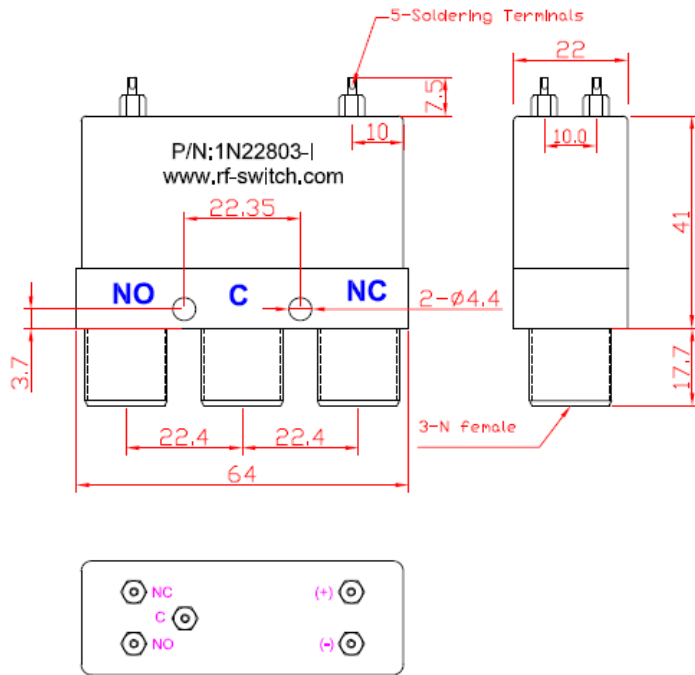
TTL 逻辑控制功能



TTL IN	C-NC	C-NO
Logic "0" (0-0.8V)	ON	OFF
Logic "1" (2.5-5V)	OFF	ON



电压控制带指示功能



TTL 逻辑控制带指示功能

