

## SPDT Switch DC-18GHZ

With DB9

### Application

- . RF test and measurement
- . Broadband wireless
- . ATE(Automatic Test Equipment)

### Features

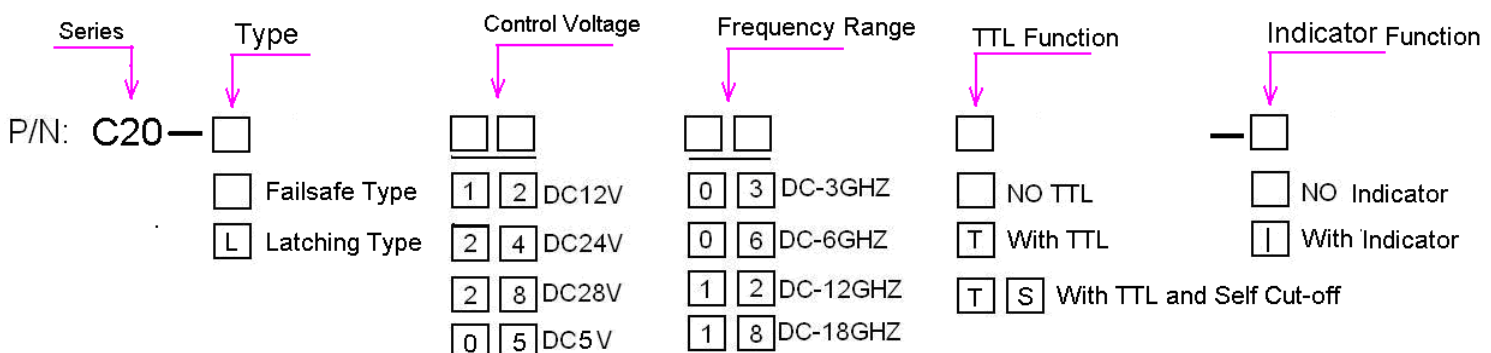
- . RF signal hot switching power **2W**
- . Low insertions
- . High Isolation

### RF SPEC.:

Frequency Range	DC-3GHZ	3-6GHZ	6-12.4GHZ	12.4-18GHZ
VSWR	<1.20	<1.30	<1.40	<1.50
Insertion Loss	<0.2dB	<0.3dB	<0.4dB	<0.5dB
Isolation	>80dB	>70dB	>60dB	>60dB
Power Handling(CW)	100W	70W	50W	40W

- RF Impedance: 50 ohm
- Operating Voltage: DC12V/240mA (Option:DC5V/480mA,DC24V/100mA,DC28V/110mA)
- Switching Time: <15ms
- Life:>1000000cycles
- Switching Sequence:Break Before Make
- Operating Temperature: -30 ~ +65°C (Option -40 ~ +85°C)
- RF Interface: SMA female

### P/N SPEC.



Tel: 0086-10-82087227

Fax:0086-10-82087380

E-mail: [rfswitch@126.com](mailto:rfswitch@126.com)

Web site: [www.rf-switch.com](http://www.rf-switch.com)



\* **T-S** With TTL control and self cut-off function only for Latching Type

Sample:

C20-1218 (SPDT Failsafe Type/DC12V/DC-18GHZ)

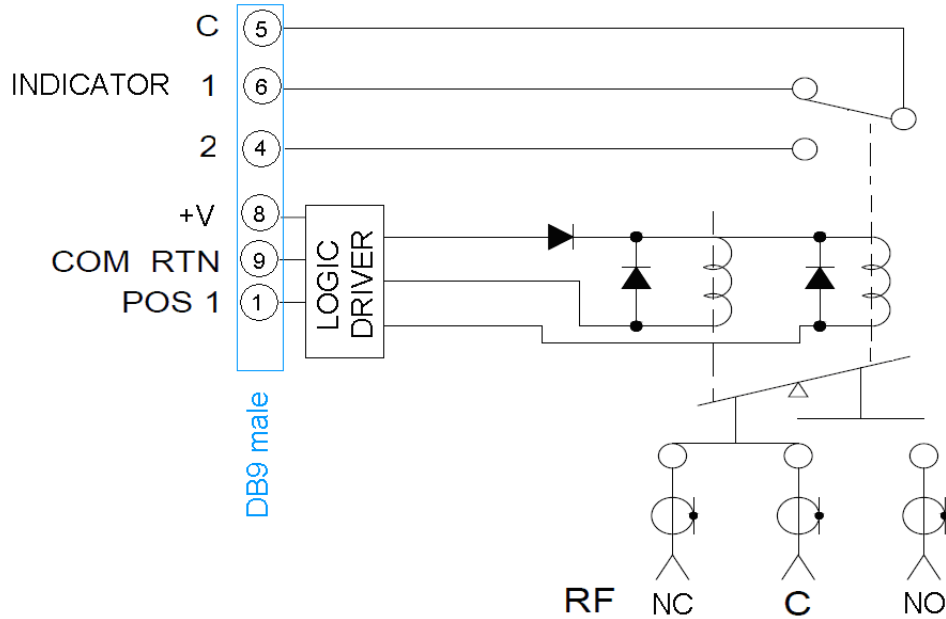
C20-2406T-I (SPDT Failsafe Type/DC24V/DC-6GHZ/With Indicator)

C20-L1206 (SPDT Latching Type/DC12V/DC-6GHZ)

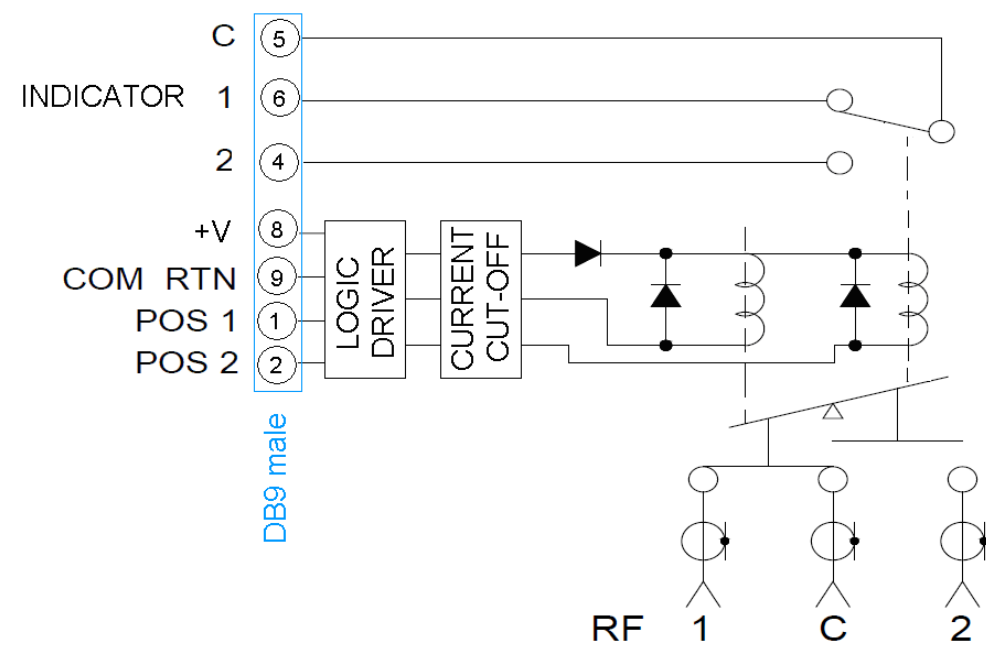
C20-L2412T-S-I(SPDT Latching Type/DC24V/DC-12GHZ/With TTL control and self cut-off/With indicator)

Schematic

Failsafe Type



Latching Type



Outline Drawing(mm)

