

## SPDT Switch DC-18GHZ

### Panel Mount Latching Type



#### Application

- . RF test and measurement
- . Broadband wireless
- . ATE(Automatic Test Equipment)

#### Features

- . RF signal hot switching power **2W**
- . Pulse Latching
- . Low insertions
- . High Isolation

#### RF SPEC. :

Frequency Range	DC-3GHZ	3-6GHZ	6-12.4GHZ	12.4-18GHZ
VSWR	<1.20	<1.30	<1.40	<1.50
Insertion Loss	<0.2dB	<0.3dB	<0.4dB	<0.5dB
Isolation	>80dB	>70dB	>60dB	>60dB
Power Handling(CW)	100W	70W	50W	40W

- RF Impedance: 50 ohm
- Operating Voltage: DC12V/230mA (Option:DC5V/500mA,DC24V/100mA,DC28V/110mA)
- Switching Time: <15ms
- Life:>1000000cycles
- Switching Sequence:Break Before Make
- Operating Temperature: -30 ~ +65°C (Option -40 ~ +85°C)
- RF Interface: SMA female

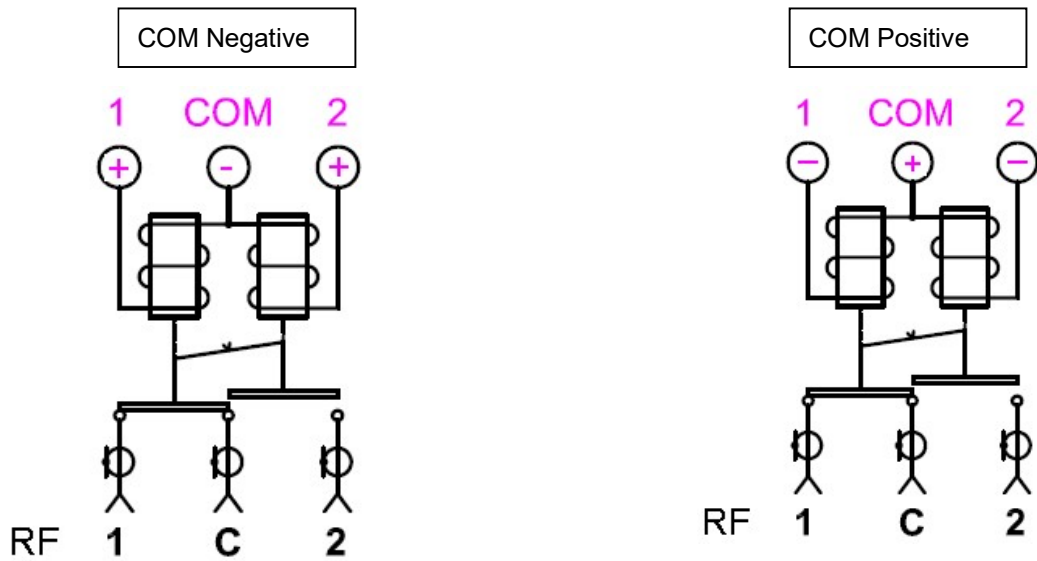
#### P/N SPEC.

Series	Control Voltage	Frequency Range	COM Polarity	TTL Function
P/N: C10—L	<input type="checkbox"/> <input type="checkbox"/>	<input type="checkbox"/> <input type="checkbox"/>	<input type="checkbox"/> Negative	<input type="checkbox"/>
	<input type="checkbox"/> 1 <input type="checkbox"/> 2 DC12V	<input type="checkbox"/> 0 <input type="checkbox"/> 3 DC-3GHZ	<input checked="" type="checkbox"/> Positive	<input type="checkbox"/> NO TTL
	<input type="checkbox"/> 2 <input type="checkbox"/> 4 DC24V	<input type="checkbox"/> 0 <input type="checkbox"/> 6 DC-6GHZ		<input type="checkbox"/> T With TTL
	<input type="checkbox"/> 2 <input type="checkbox"/> 8 DC28V	<input type="checkbox"/> 1 <input type="checkbox"/> 2 DC-12GHZ		<input type="checkbox"/> T <input type="checkbox"/> S With TTL and self cut-off
	<input type="checkbox"/> 0 <input type="checkbox"/> 5 DC5V	<input type="checkbox"/> 1 <input type="checkbox"/> 8 DC-18GHZ		



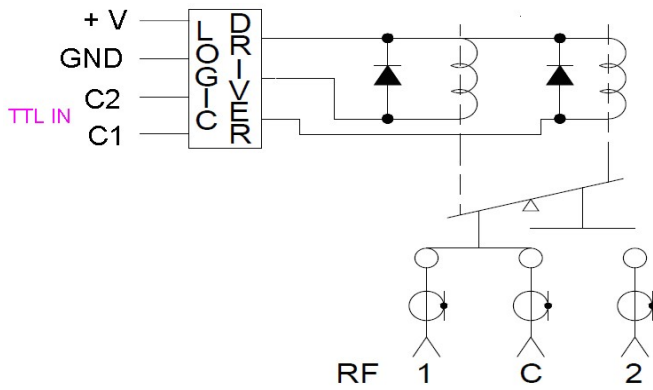
**Schematic**

**Voltage Control**



Control Voltage	C-1	C-2
C1=V , C2=0V	ON	OFF
C1=0V , C2=V	OFF	ON

**With TTL Control**



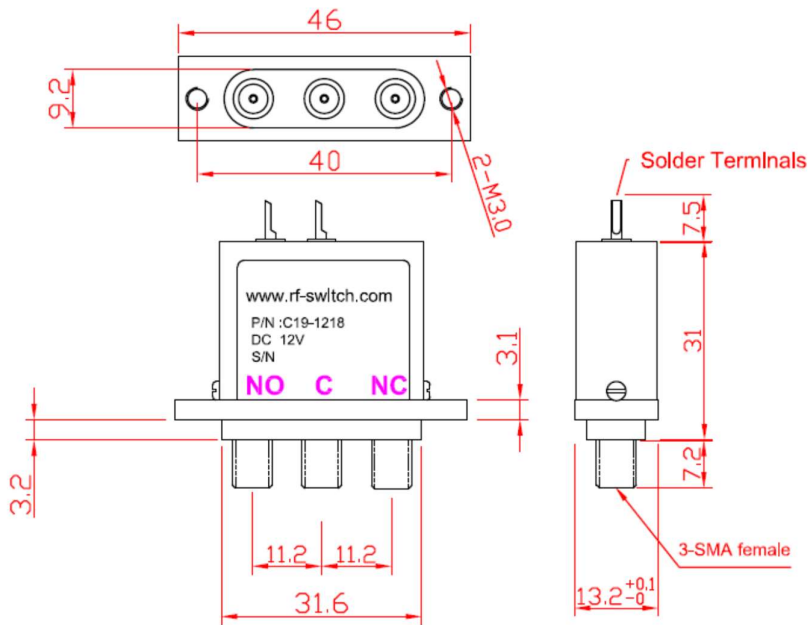
TTL IN C1&C2	C-1	C-2
C1="1", C2="0"	ON	OFF
C1="0", C2="1"	OFF	ON

Logic "0" (0-0.8V) ; Logic "1" (2.5-5V)



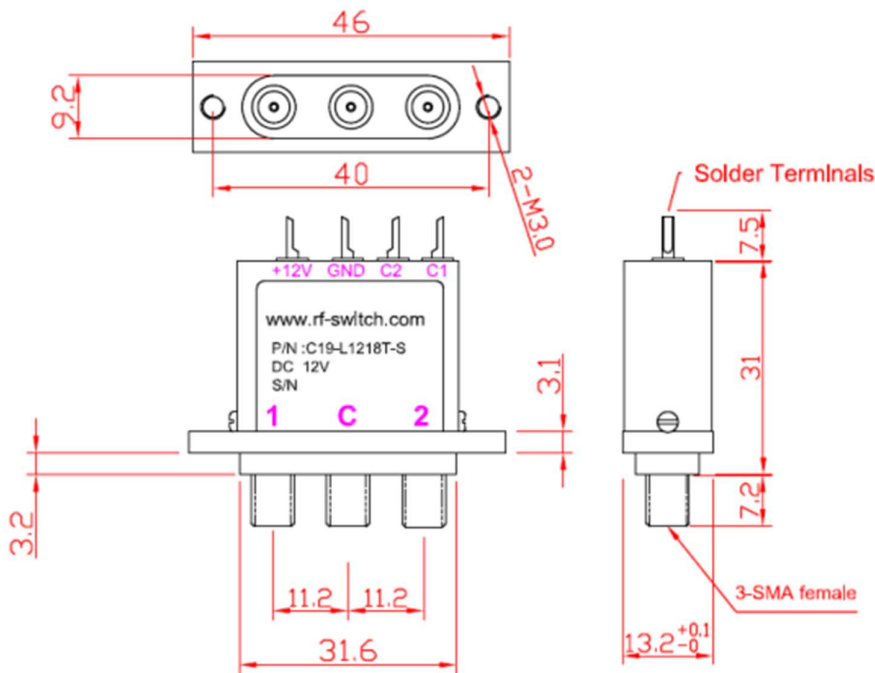
Outline Drawing

Voltage Control



Unit:mm

With TTL Control



unit: mm

