

SPDT Switch DC-18GHZ

Panel Mount (Failsafe Type)



Application

- . RF test and measurement
- . Broadband wireless
- . ATE(Automatic Test Equipment)

Features

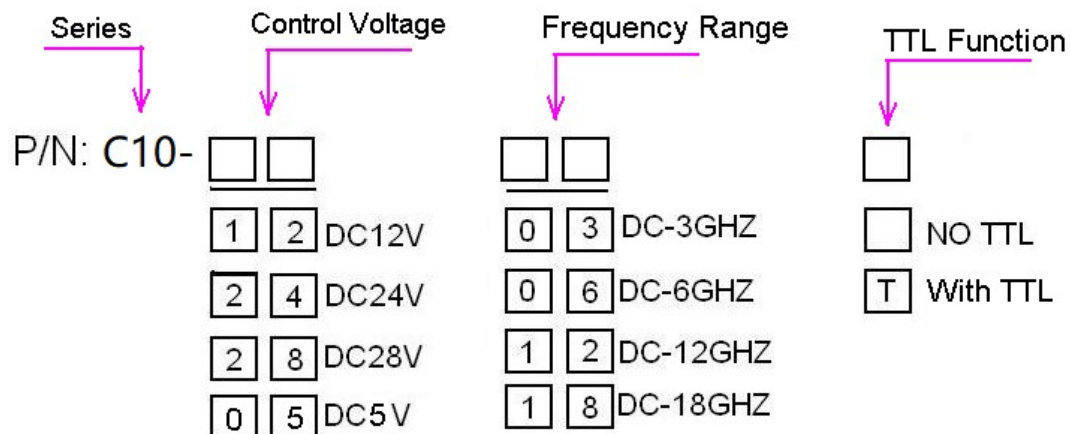
- . RF signal hot switching power **2W**
- . Low insertions
- . High Isolation

RF SPEC. :

Frequency Range	DC-3GHZ	3-6GHZ	6-12.4GHZ	12.4-18GHZ
VSWR	<1.20	<1.30	<1.40	<1.50
Insertion Loss	<0.2dB	<0.3dB	<0.4dB	<0.5dB
Isolation	>80dB	>70dB	>60dB	>60dB
Power Handling(CW)	100W	70W	50W	40W

- RF Impedance: 50 ohm
- Operating Voltage: DC12V/240mA (Option:DC5V/480mA,DC24V/100mA,DC28V/110mA)
- Switching Time: <15ms
- Life:>1000000cycles
- Switching Sequence:Break Before Make
- Operating Temperature: -30 ~ +65°C (Option -40 ~ +85°C)
- RF Interface: SMA female

P/N SPEC.:

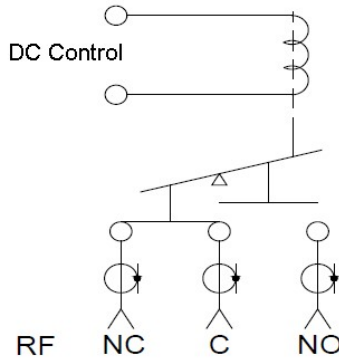


P/N Sample :

- C10-1203 (SPDT Failsafe Type/DC12V/DC-3GHZ)
- C10-2418 (SPDT Failsafe Type/DC24V/DC-18GHZ)
- C10-1218T (SPDT Failsafe Type/DC12V/DC-18GHZ/带 TTL 控制)

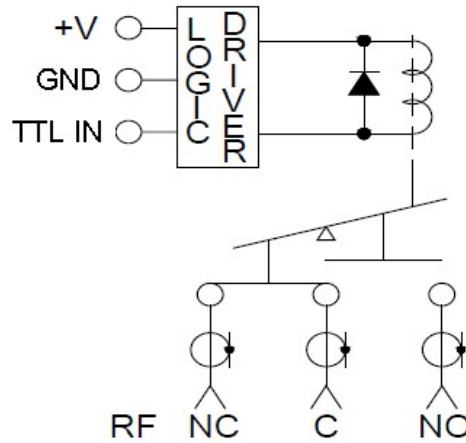
Schematic

Voltage Control



Control Voltage	C-NC	C-NO
DC=12V (or others)	OFF	ON
DC=0V	ON	OFF

With TTL Control

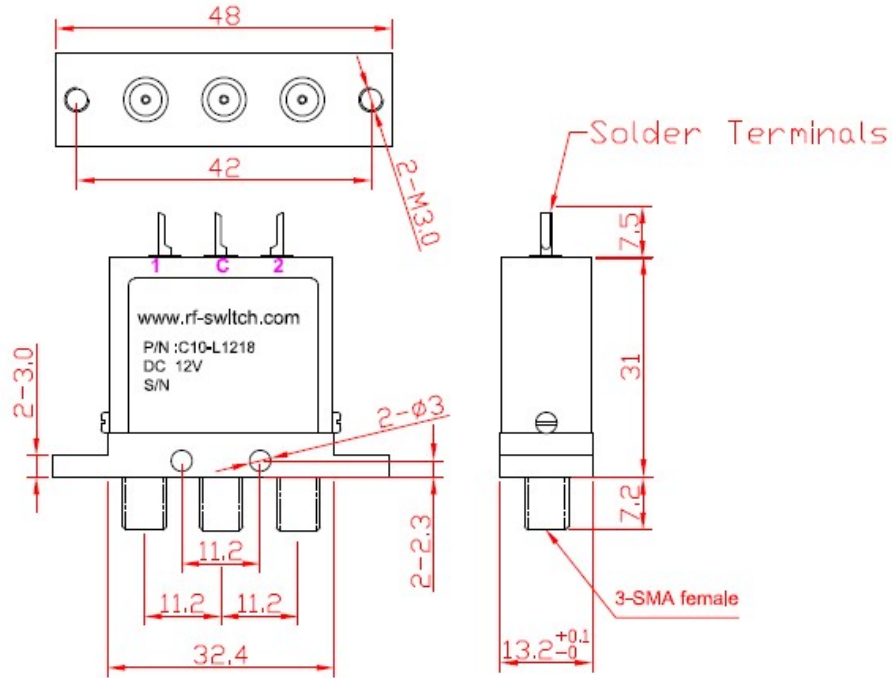


TTL IN	C-NC	C-NO
Logic "0" (0-0.8V)	ON	OFF
Logic "1" (2.5-5V)	OFF	ON



Outline Drawing (unit: mm)

Voltage Control



With TTL Control

