

表贴 单刀双掷开关

SMD SPDT Switch

适用于: 极小空间安装, 微带板直接贴焊 (SMD)
RF 收/发转换



RF 性能指标

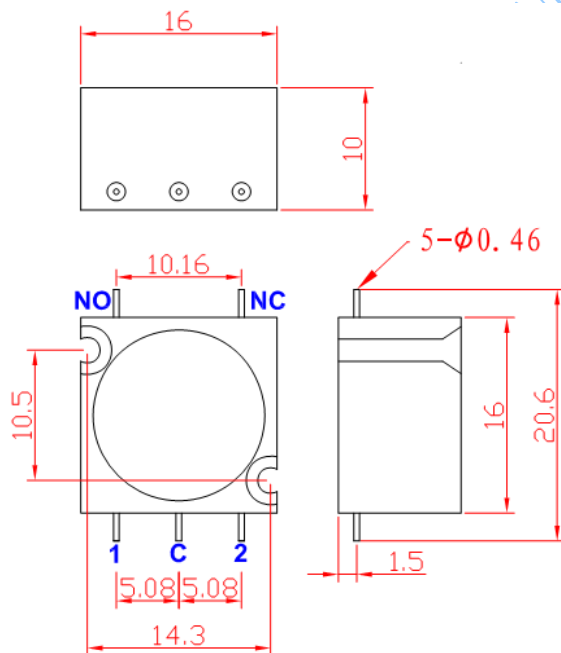
Frequency Range	DC-1GHZ	1-2GHZ	2-3GHZ	*3-6GHZ	*6-12GHZ	*12-18GHZ
VSWR	<1.10	<1.15	<1.20	1.50	1.70	1.90
Insertion Loss	<0.1dB	<0.2dB	<0.3dB	<0.5dB	<0.70dB	<0.9dB
Isolation	>70dB	>65dB	>60dB	>55dB	>50dB	>45dB
Power Handling(CW)	50W	30W	20W	10W	8W	5W

*Option: Frequency Range: DC-3GHZ; DC-6GHZ; DC-12GHZ; DC-18GHZ

- . Impedance: 50 ohm
- . Failsafe Type
- . Operating Voltage: DC12V / 120mA (Option DC28V)
- . Switching Time: <10ms
- . Life: >100,000 cycles
- . Operating Temperature: -40 ~ +85°C
- . Size: 16X16X10mm(LXWLH)
- . 产品编号:

1SD21203 –SMD/SPDT/DC12V/DC-3GHZ ; **1SD21206** –SMD/SPDT/DC12V/DC-6GHZ

外形尺寸图:



* Pin1,2 Connected with DC12V

安装: 开关 2 侧使用 M2 沉头螺钉固定